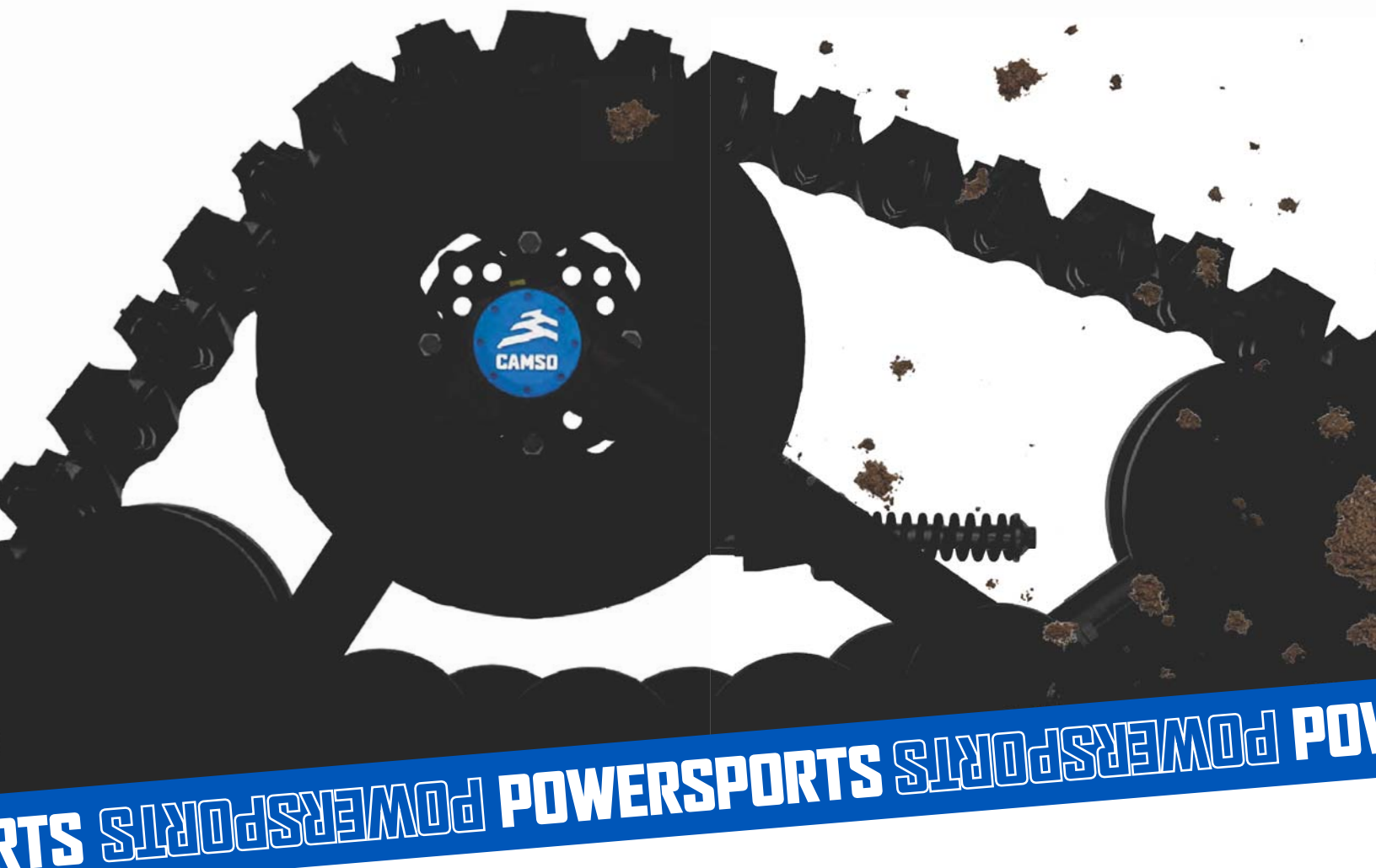


INSTALLATION GUIDELINES GUIDE D'INSTALLATION

CAMSO TRACK SYSTEMS FOR ALL-TERRAIN / SIDE-BY-SIDE VEHICLES
SYSTÈMES DE CHENILLES CAMSO POUR VÉHICULES TOUT-TERRAIN ET CÔTE À CÔTE



KAWASAKI
5000-04-5837-MAN



VERSION A



⚠ WARNING

Please read carefully each part of this document as well as the *User Manual* prior to assembling, installing and using the Track System.

CAUTION: Longevity of the Camso Track System's components is directly linked to the way the System is used. Sportive driving, rapid direction changes and repeated fast turns (especially on power steering vehicles) are not advised. These driving styles increase the risk of derailing and can cause premature wear and/or major breakdowns on the Track System which will not be covered under normal warranty.

TECHNICAL SUPPORT

If your dealer or distributor is unable to solve a problem related to the System, you may contact the Camso support team from Monday to Friday.



www.camso.co



pws.tracksystem@micelin.com



[@camsopowersports](https://www.facebook.com/camsopowersports)



[@camsopowersports](https://www.instagram.com/camsopowersports)

Camso inc.
4162, rue Burrill - Local A
Shawinigan, QC G9N 0C3
CANADA

Welcome to the Camso family

Thank you for choosing our Track Systems to make your ride a new beast.

Our products are designed to take you further and help you work harder in all terrain, whether you're hunting, ice fishing, caring for your land, reaching your remote cabin, or taking on any outdoor adventure. No matter where or in what conditions, get there and back safely with your Camso track systems.

Ready to benefit from optimal traction, mobility, stability, and flotation?

Let's go make tracks!

REMARKS / CONSTRAINTS

Track systems can create constraints during installation and/or use. Minor interference may result and modification to the vehicle may be necessary.

On this vehicle model, the track system's design results in the following constraints and related recommendations:

- Light interference and minor modifications possible.

PRE-INSTALLATION CHECK OF TRACK SYSTEM SPROCKET RATIO

Scan the QR code to the right and access the *Fitment Guide* to validate the number of teeth on front and rear sprockets specific to your vehicle model.



SYMBOLS AND SIGNAL WORDS

This document uses the following signal words and symbols to emphasize particular information:

WARNING

Indicates a potentially hazardous situation which, if not avoided, could result in death or serious injury.

CAUTION: Indicates a potentially hazardous situation which, if not avoided, may result in damage to vehicle and Track System components.

NOTE: Indicates supplementary information.

WARNINGS

WARNING

Install Track System at an authorized Camso dealer. Refer to the *Warranty* section in the *User manual*.

WARNING

Wear protective gloves and goggles.

WARNING

Immobilize vehicle on a flat and level surface, shift transmission into **Park** and turn engine off.

WARNING

Raise and install vehicle on secure supports (or lifting device).

WARNING

Ensure that the vehicle is immobilized and safe to work on.

WARNING

Beware of hot surfaces that may cause injury.

WARNING

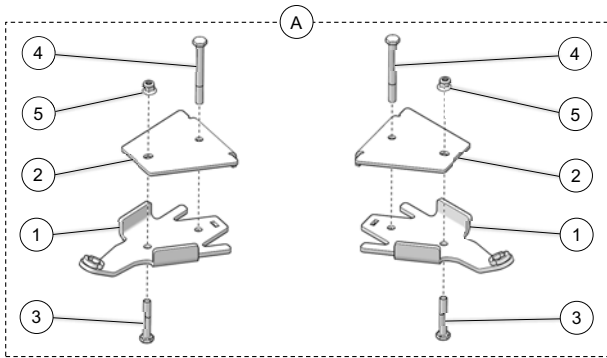
Moving parts - Hands or fingers caught between moving parts of the equipment present a danger to life or limb.

WARNING

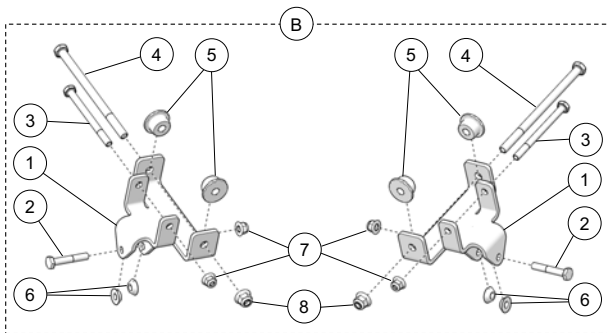
Do not place any part of your body under the vehicle unless it is securely placed on appropriate stands. Severe injuries could occur if the vehicle collapses or moves. Do not use a lifting device as a secure stand.

PARTS LIST

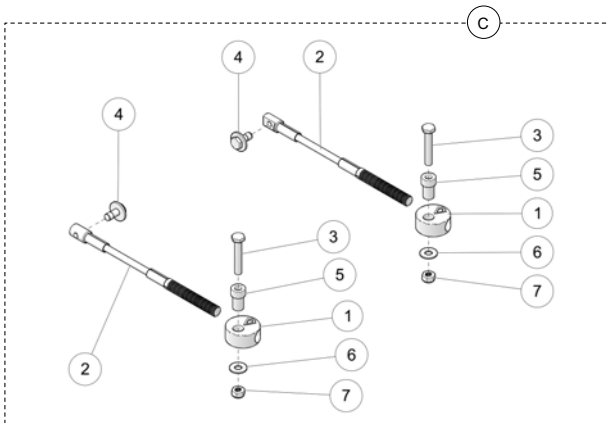
CAUTION: Before beginning the installation, make sure that you have received all the components included in the parts lists below.



ITEM	PART #	DESCRIPTION	QTY
A	1004-04-0150	FRONT BRACKET KIT	1
1	--	ANTI-ROTATION FRONT BRACKET	2
2	--	FRONT BRACKET COVER	2
3	1033-10-0060	HX BOLT-HCS, M10-1.5X60, 8.8, ZP, ISO4017	2
4	1033-10-0100	HX BOLT-HCS, M10-1.5X100, 8.8, ZP, DIN931	2
5	1074-10-1001	NYLON NUT - FNN, M10-1.5, 10, ZP, DIN6926	2



ITEM	PART #	DESCRIPTION	QTY
B	1005-04-0150	REAR BRACKET KIT	1
1	--	ANTI-ROTATION REAR BRACKET	2
2	1033-10-0060	HX BOLT- HCS, M10-1.5X60, 8.8, ZP, DIN931	2
3	1033-10-1130	HX BOLT- HCS, M10-1.5X130,10.9,ZP,DIN931	2
4	1033-12-0210	HX BOLT- HCS, M12-1.75X210, 8.8, ZP,DIN931	2
5	1050-05-0026	T-BUSHING	4
6	1050-05-0305	TAPER SLEEVE	4
7	1074-10-1001	NYLON NUT - FNN, M10-1.5, 10, ZP, DIN6926	4
8	1074-12-0001	NYLON NUT - FNN, M12-1.75, 8, ZP, DIN6926	2



ITEM	PART #	DESCRIPTION	QTY
C	1003-77-3500	STEERING LIMITER ASSY	1
1	--	THREADED DISK	2
2	1003-77-3560	CABLE ASSY	2
3	1033-10-0060	HEX BOLT- HCS, M10-1.5X60, 8.8, ZP, DIN931	2
4	1033-10-2026	BOLT - HCSW,M10-1.5X25,8.8,ZP,TL,DIN933	2
5	1050-00-0200	STEP SPACER	2
6	1060-00-0004	WASHER - W, 7/16X1.0X0.072, 8, ZP, USS	2
7	1071-10-0001	NYLON NUT - NN, M10-1.5, ZP, 8, DIN982	2



ITEM	PART #	DESCRIPTION	QTY
D	1178-12-B075	LUG NUT - LN, M12-1.25X75, BP	16

TORQUE SPECIFICATIONS

Recommended torque specifications according to bolt size and grade.

DIMENSION	GRADE			
	8.8		10.9	
	Nm	lb-ft	Nm	lb-ft
M6-1.0	10	7		
M8-1.25	25	18	33	24
M10-1.5	50	37	70	52
M12-1.75	90	66	125	92

NOTE: Use a thread locker (Loctite 262 or equivalent) at the specific points of the System indicated in the *User Manual's* exploded views.

INFORMATION

- For most vehicles, directional arrows have been cut out of some components in the anchor bracket kits. Make sure the arrows point toward the front of the vehicle when installing the brackets. See Fig. 1

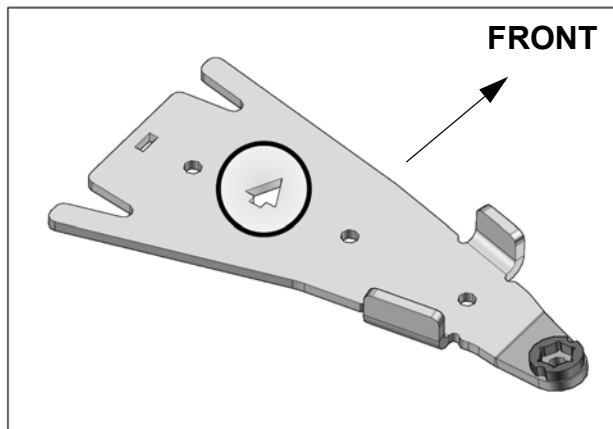


Fig. 1

PREPARATION

- Set each Track System unit near the position indicated by the sticker affixed on the frame.

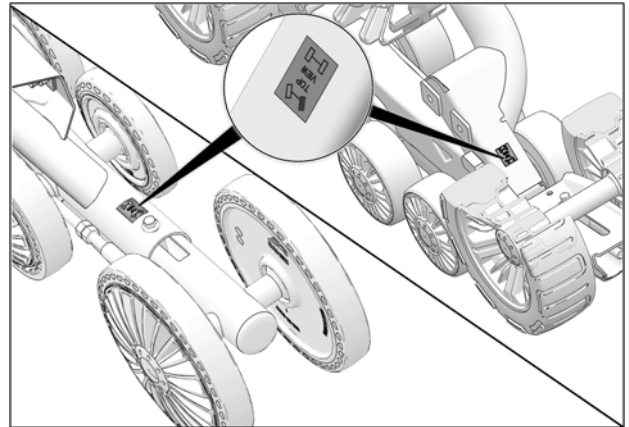


Fig. 2

**** IMPORTANT:** Start by installing the REAR Track Systems first. **

REAR TRACK SYSTEM INSTALLATION

- Remove rear wheels. Make sure that wheel studs and wheel hubs are free of dirt.
- If needed, remove CV joint protectors.
- Remove and discard bolts, washers, bushings, and nuts from rear stabilizing rod ends. See Fig. 3

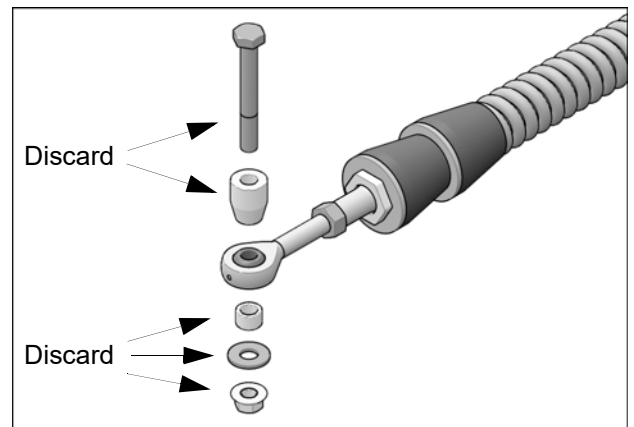


Fig. 3

- Loosen and remove flange bolt (1) linking the lower suspension arm to the wheel hub. See Fig. 4

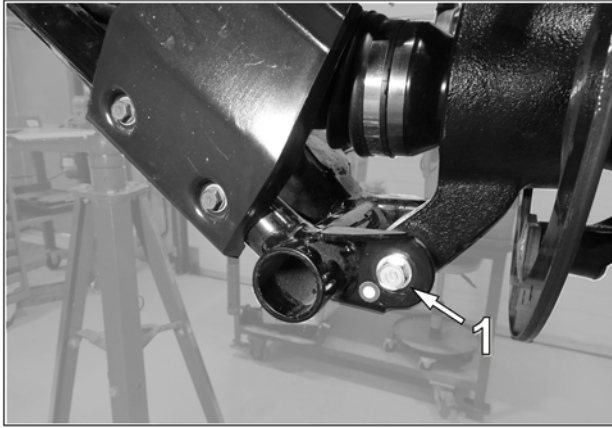


Fig. 4

- Insert step bushings (B5) at both ends of suspension arm tube, as shown below. See Fig. 5

NOTE: Grind down any excess material in tube openings interfering with bushing (B5) installation.

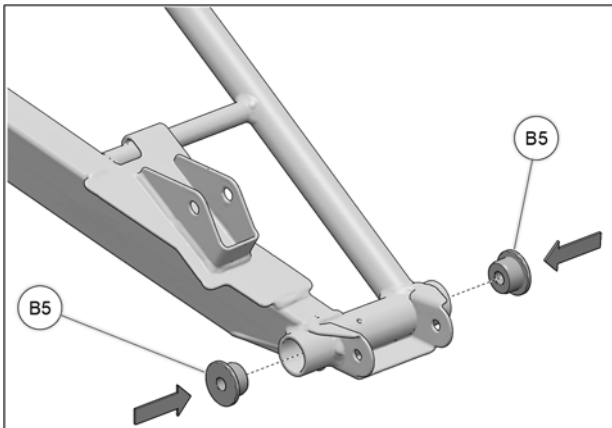


Fig. 5

- Position anchor bracket (B1) under rear suspension arm, aligning holes in bracket and suspension arm. See Fig. 6

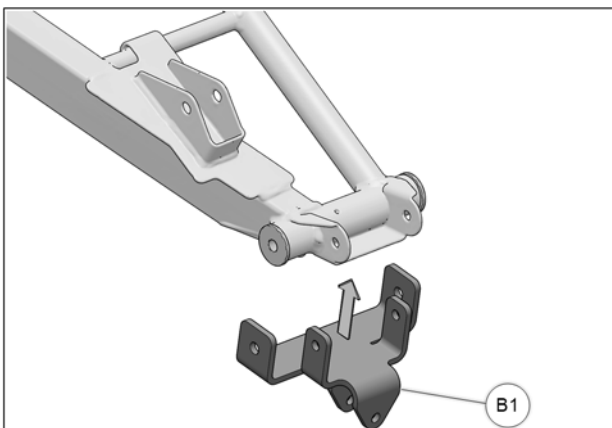


Fig. 6

- Insert M12x210mm bolt (B4) through anchor bracket, step bushings and suspension arm. Secure with provided M12 nut (B8). Tighten to 90 Nm [66 lb•ft].

Insert M10x130mm bolt (B3) through anchor bracket, suspension arm, and wheel hub. Secure with provided M10 nut (B7). Tighten to 70 Nm [52 lb•ft]. See Fig. 7

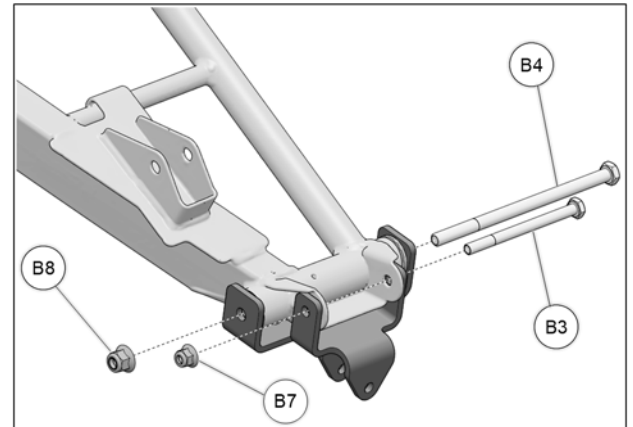


Fig. 7

- Secure undercarriage to rear hub using the provided M12 lug nuts (D). Use bolt circle Ø156 mm. See Fig. 8

CAUTION: If needed, take rubber protector off of hub.

CAUTION: Follow torque specification indicated by vehicle manufacturer when tightening wheel nuts.

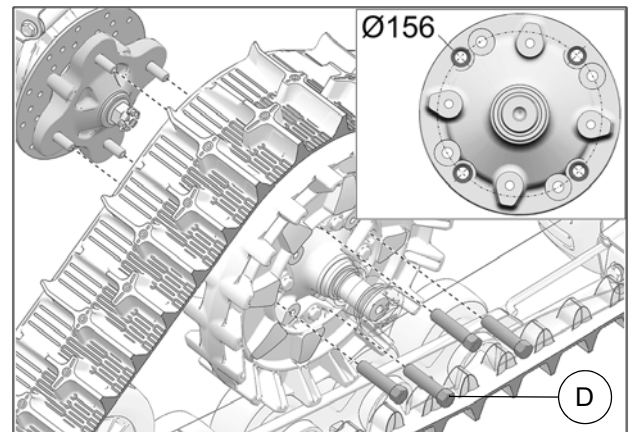


Fig. 8

9. Attach stabilizing rod (1) to anchor bracket (2), using 60mm-long M10 bolt (B2), conical spacer bushings (B6), and nut (B7). Torque to 70 N•m [52 lb•ft]. See Fig. 9

CAUTION: Assemble components in order shown.

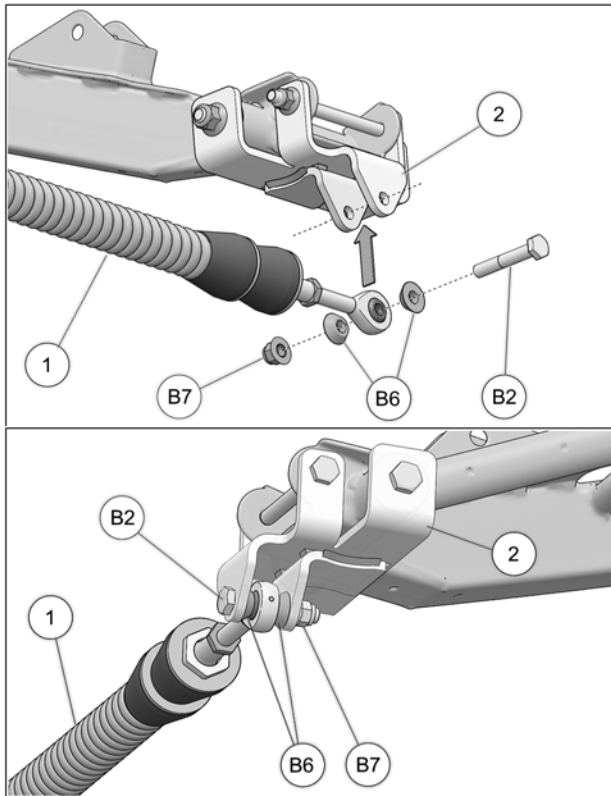


Fig. 9

10. Verify that spring assembly bolt (3) is tightened to the recommended torque specification: 75 N•m [55 lb•ft]. Make sure to lock in position, the large nut in front of the rubber cone dampers. Refer to Fig. 10

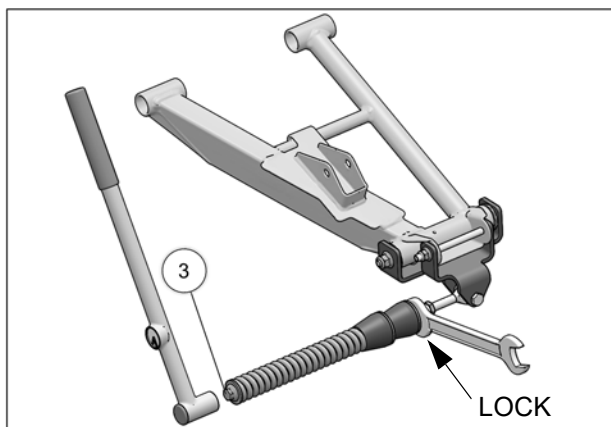


Fig. 10

11. Inspect the rear track systems and ensure that all mounting bolts were correctly tightened during installation.

FRONT TRACK SYSTEM INSTALLATION

1. Remove front wheels. Make sure that wheel studs and wheel hubs are free of dirt.
2. If applicable, remove CV joint protectors.
3. Remove bolts, nuts, washers and bushings from front stabilizing rod ends as shown in Fig. 11

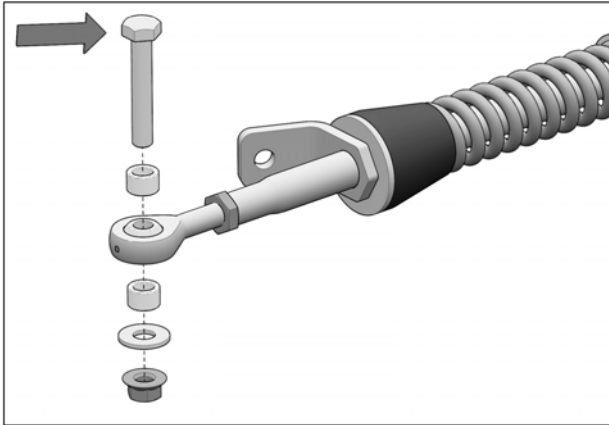


Fig. 11

4. Insert bolt in front anchor brackets (A1) as shown in Fig. 12

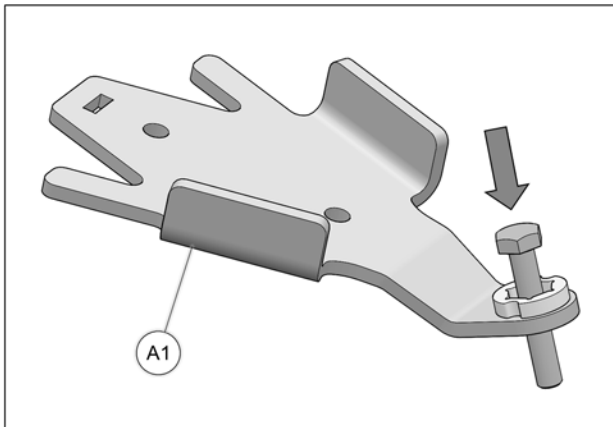


Fig. 12

CAUTION: Make sure that the bolt is inserted in the right direction. See Fig. 13

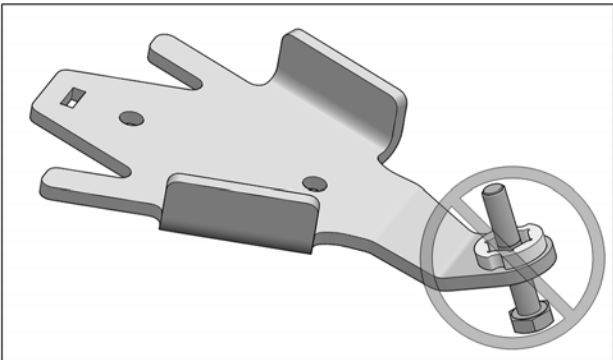


Fig. 13

5. Insert M10x100mm bolt (A4) in back end hole of anchor bracket cover (A2) and position these parts over lower front suspension arm as shown in Fig. 14

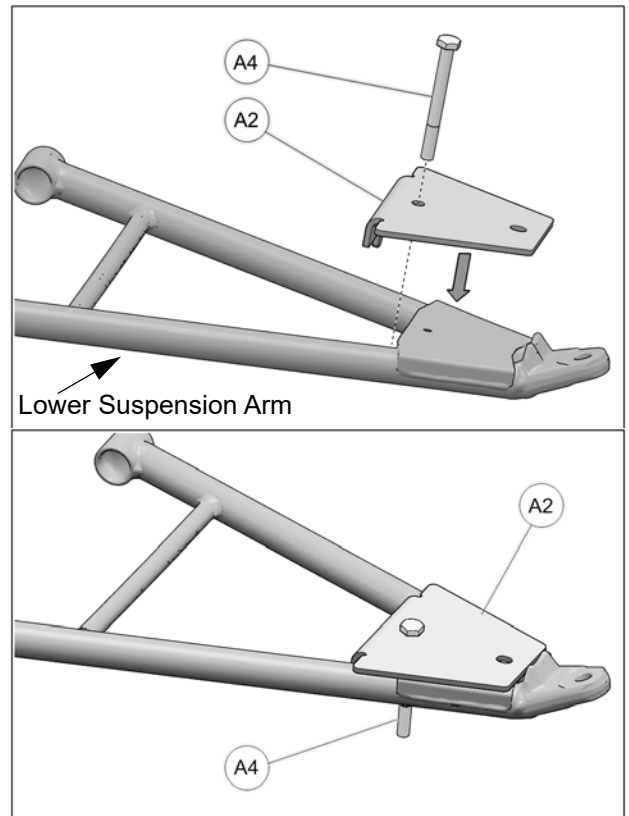


Fig. 14

6. Position bottom part of anchor bracket assembly (A1) under lower suspension arm. Pull back end of bracket (A1) up over bolt (A4) already installed in cover (A2). Make sure tenon is well inserted in mortise. Refer to Fig. 15

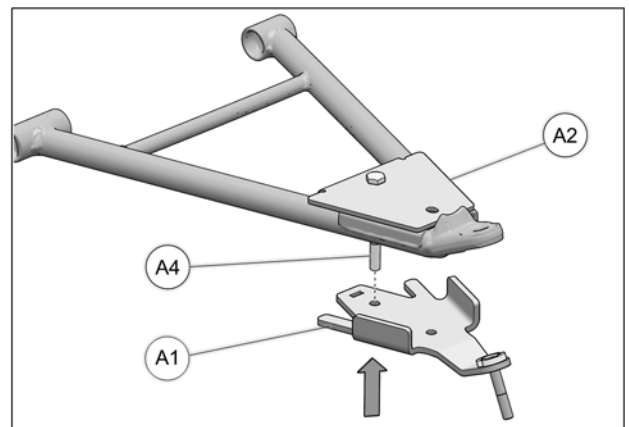


Fig. 15

7. Temporarily clamp top and bottom parts; from the bottom and using the open hole as template, drill out reinforcing plate of suspension arm. Refer to Fig. 16

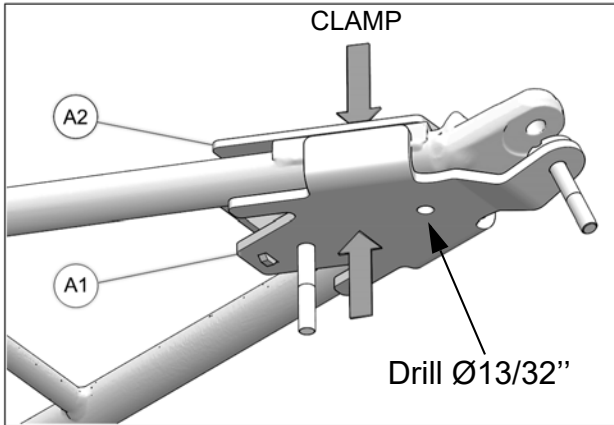


Fig. 16

8. Insert the M10x60 mm bolt (A3) through the bottom as shown below and secure the two parts together with the M10 nut (A5) provided. Tighten assembly to 50 N•m [37 lb•ft] of torque. See Fig. 17

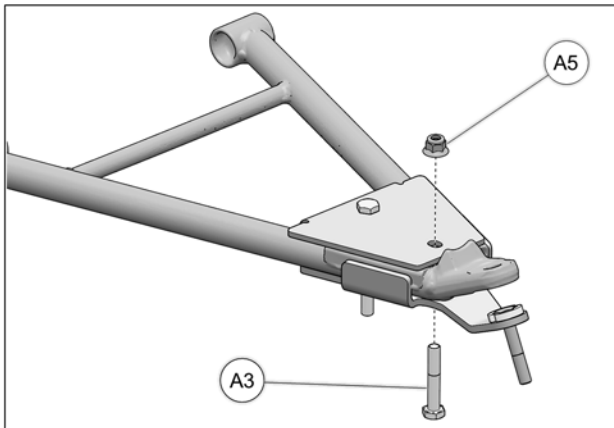


Fig. 17

9. Secure undercarriage to rear hub using the provided M12 lug nuts (D). Use bolt circle Ø156 mm. See Fig. 18

CAUTION: If needed, take rubber protector off of hub.

CAUTION: Follow torque specification indicated by vehicle manufacturer when tightening wheel nuts.

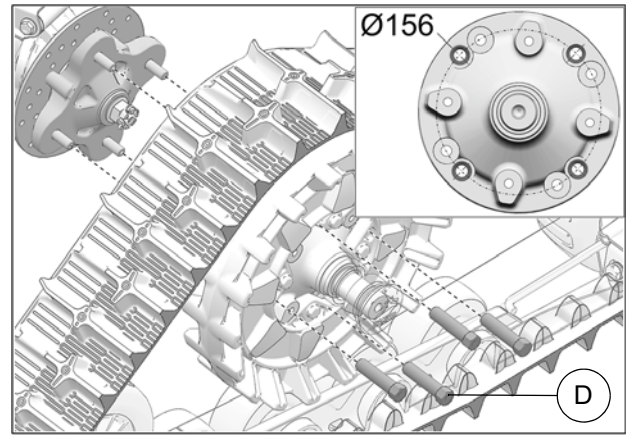


Fig. 18

10. Attach the stabilizing rod (2) to the anchor bracket (A1), using the two spacers (3), washer (4), and nut (5). Torque to 70 N•m [52 lb•ft]. Refer to Fig. 19

CAUTION: Components must be assembled in the order shown.

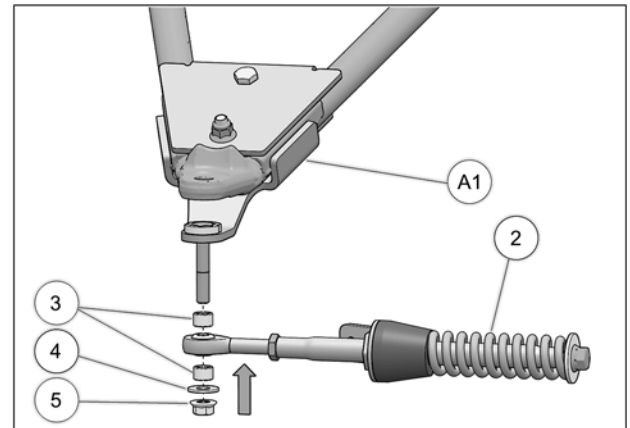


Fig. 19

11. Verify that spring assembly bolt (6) is tightened to the recommended torque specification: 75 N•m [55 lb•ft]. Make sure to lock in position, the large nut in front of the rubber cone damper. Refer to Fig. 20

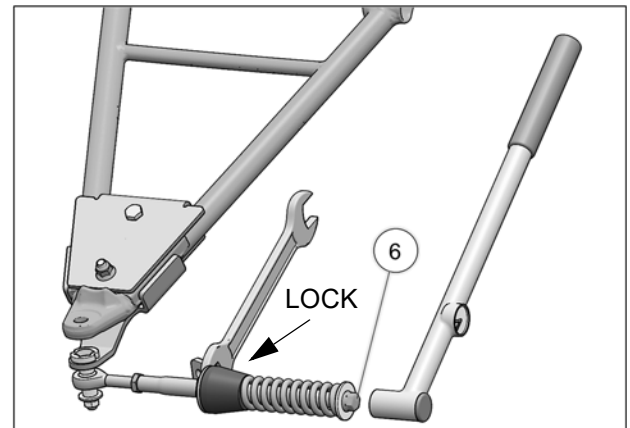


Fig. 20

STEERING LIMITER INSTALLATION

12. Remove and discard M10 bolt (C3) from steering limiter cable parts kit as shown in Fig. 21

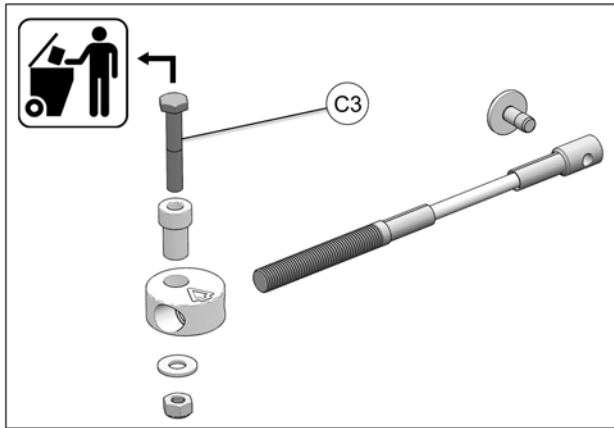


Fig. 21

13. Assemble steering limiter cables (C2), aluminum disks (C1) and step spacers (C5) together as shown on Fig. 22

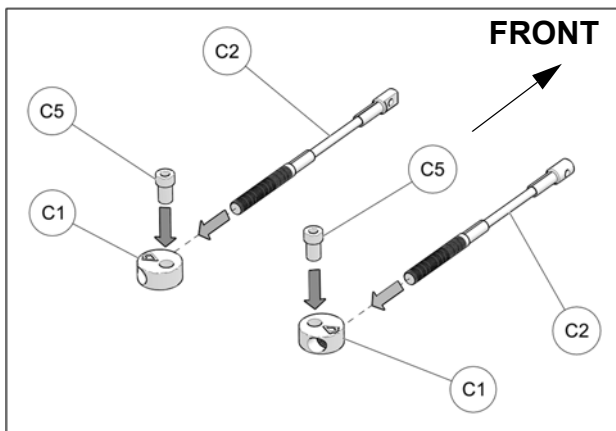


Fig. 22

IMPORTANT

14. Apply grease evenly all around step spacer bushing (C5) and in hole of aluminum disk (C1) when assembling these parts together. See Fig. 22

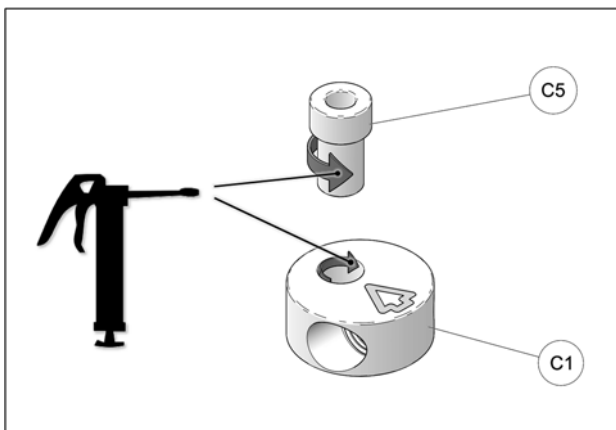


Fig. 23

15. Slip steering limiter cable assembly over M10x100mm bolt (A4) previously installed in step 5. Use supplied washer (C6) and nut (C7) to secure steering limiter assembly in place. Tighten nut to 50 N•m [37 lb•ft]. Refer to Fig. 24

NOTE: Make sure arrow on top of aluminum disk points towards front of vehicle.

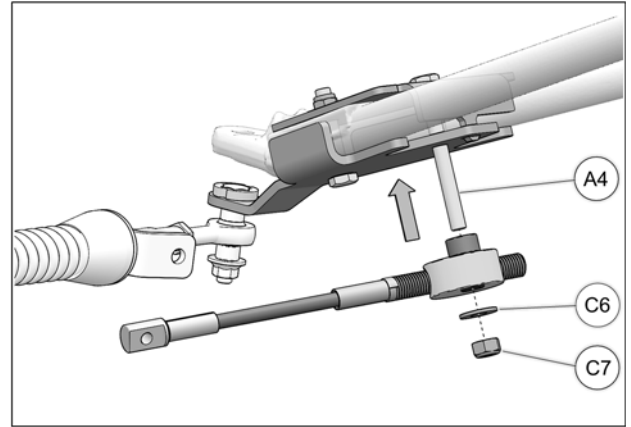


Fig. 24

IMPORTANT

16. Make sure aluminum disk pivot point is installed in front of steering limiter cable. See Fig. 25

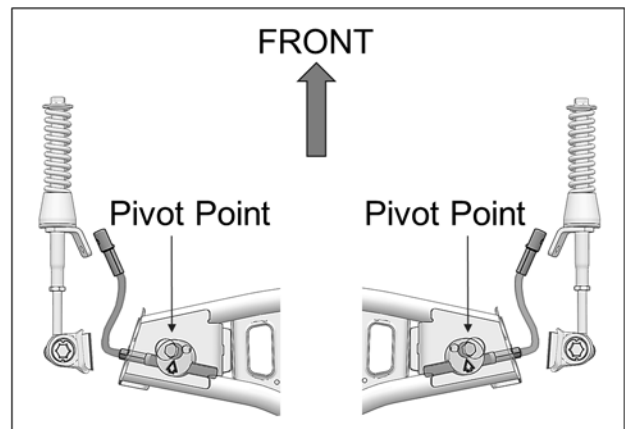


Fig. 25

STEERING LIMITER ADJUSTMENT

WARNING: Before going to the next steps, make sure that stabilizing arms are correctly installed, and that the angle of attack and alignment are correct. Refer to the *User Manual* supplied at purchase.

17. Turn the vehicle's steering wheel to its maximum point of travel on the left. While maintaining pressure on the steering wheel, turn threaded rod to adjust length of cable. See Fig. 26

18. Position cable end hole (1) 13-19 mm short of support plate mounting hole (2). See Fig. 26

WARNING: To prevent potential damage to vehicle components, the **** 13-19 mm **** gap is **mandatory**.

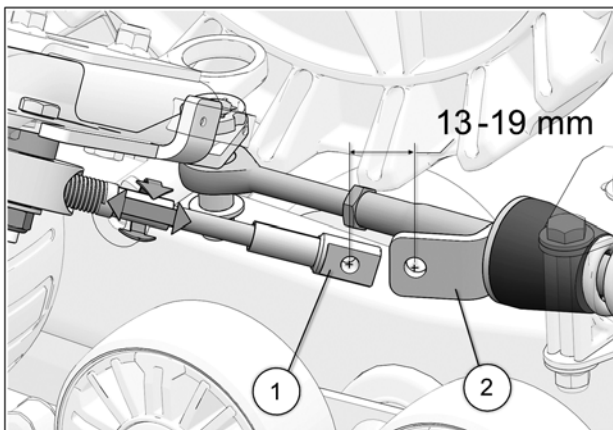


Fig. 26

19. Reverse steering wheel a little to be able to bolt support plate and cable together. Tighten provided bolt (C4) to 35 N•m [24 lb•ft]. See Fig. 27. Repeat steps on right side.

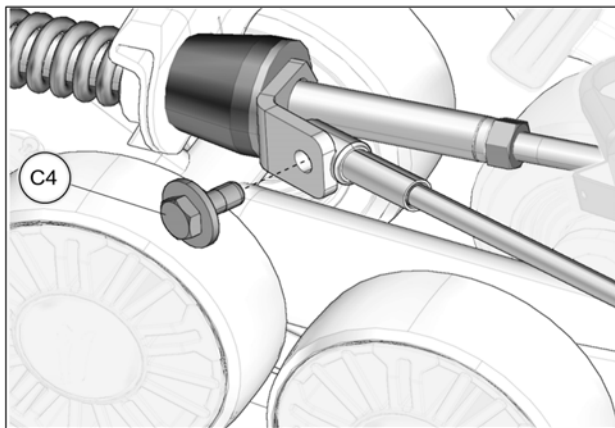


Fig. 27

FINAL INSTALLATION

1. Verify the suspension settings. If the shock absorbers are adjustable, adjust them to the stiffest setting to allow for maximum clearance between the System and the vehicle's fenders. See Fig. 28

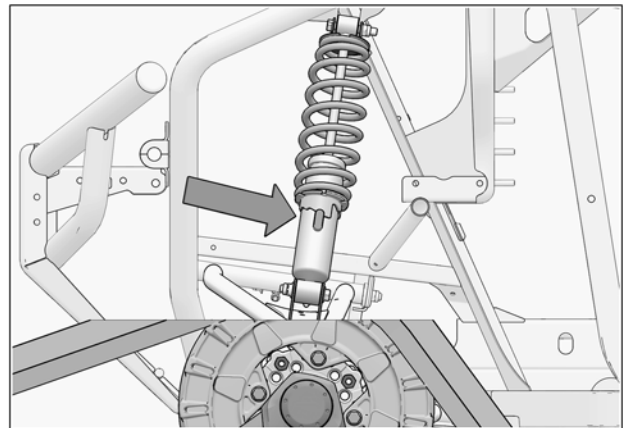


Fig. 28

2. Verify for possible contact between Track System and lower fender corners. See Fig. 29

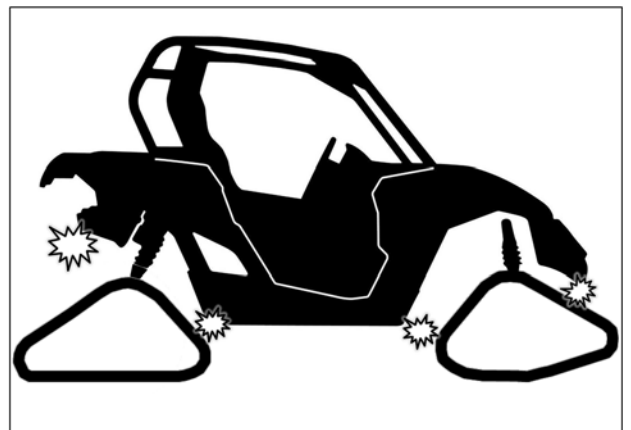


Fig. 29

CAUTION: If there is contact, the fender should be modified (cut) to avoid damage to the vehicle's components and premature wear on rubber track.

3. Lower the vehicle to the ground.

ADJUSTMENTS

CAUTION: The Track System is designed to provide the best traction performance and floatability. Adjustments such as alignment, track tension, and angle of attack are necessary for optimal System performance. For more information on these adjustments, refer to the document entitled *ADJUSTMENTS* or to the *USER MANUAL* provided with the installation kit specific to the vehicle.

REMOVAL

CAUTION: Leaving the anti-rotation anchor brackets attached to the suspension arms, after having removed the Track Systems, could cause interference which might damage the vehicle. Remove all Track System anti-rotation mechanism components installed on the vehicle before reinstalling the wheels.

CAUTION: Track Systems mounted on a vehicle increase ground clearance and stability. Be careful after re-installing your wheels; the handling characteristics of the vehicle will differ from those produced by Track Systems.

STORAGE

CAUTION: Contaminants can alter and corrode the moving parts of the Track System during storage. It is strongly recommended to perform the prescribed maintenance before storing the Track System.

Dealer or distributor phone number:

Serial number:

Date of purchase:



AVERTISSEMENT

Veillez lire attentivement ce document en entier, ainsi que le manuel de l'utilisateur avant d'assembler, d'installer et d'utiliser le système de traction.

ATTENTION: La durée de vie des composantes d'un système de traction Camso est directement liée à la manière d'utiliser le système. La conduite sportive, les changements de direction brusques ou les virages rapides et à répétition (plus spécifiquement aux véhicules à direction assistée) ne sont pas recommandés. Ces types de conduite augmentent les risques de déraillement des chenilles et peuvent causer une usure prématurée et des bris majeurs au système qui ne seront pas couverts par la garantie.

SOUTIEN TECHNIQUE

En cas de problème, contacter d'abord votre concessionnaire ou distributeur. Advenant qu'il ne soit pas en mesure de résoudre un problème lié au système, vous pouvez communiquer avec l'équipe de soutien de Camso du lundi au vendredi.



www.camso.co



pws.tracksystem@micelin.com



[@camsopowersports](https://www.facebook.com/camsopowersports)



[@camsopowersports](https://www.instagram.com/camsopowersports)

Camso inc.
4162, rue Burrill - Local A
Shawinigan, QC G9N 0C3
CANADA

Bienvenue dans la famille Camso

Merci d'avoir choisi nos systèmes de chenilles pour faire de ton véhicule une bête féroce.

Nos produits sont conçus pour t'amener plus loin et te permettre de travailler plus fort sur tous les terrains, que tu sois à la chasse, à la pêche sur glace, en train d'entretenir ton terrain, en route vers ton chalet isolé ou à la quête d'une aventure en plein air. Peu importe où et dans quelles conditions, tu pourras t'y rendre et revenir en toute sécurité avec tes systèmes de chenilles Camso.

Prêt à bénéficier d'une traction, d'une mobilité, d'une stabilité et d'une flottaison optimales?

Allez, fais tes traces!

REMARQUES / CONTRAINTES

Un système de chenilles peut générer des contraintes lors de l'installation ou de l'utilisation. Il y a possibilité de légère interférence ou de modification mineure à apporter au véhicule.

Pour ce modèle de véhicule, le design occasionne les contraintes et recommandations suivantes:

- Légères interférences et modifications mineures possibles.

VALIDATION DES RATIOS DES SYSTÈMES AVANT INSTALLATION.

Scanner le code QR à droite pour accéder au *guide d'application* et valider les nombres de dents avant et arrière des barbotins associés au modèle de votre véhicule.



SYMBOLES ET MOTS INDICATEURS

On utilise, dans ce document, les symboles et mots indicateurs suivants afin de souligner des renseignements en particulier:

⚠ AVERTISSEMENT

Indique une situation possiblement dangereuse qui, si on ne parvient pas à l'éviter, pourrait entraîner la mort ou des blessures graves.

ATTENTION: Indique une situation possiblement dangereuse qui, si on ne parvient pas à l'éviter, pourrait entraîner des dommages au véhicule et aux systèmes de chenille.

NOTE: Apporte des renseignements supplémentaires.

AVERTISSEMENTS

⚠ AVERTISSEMENT

Installer le système chez un concessionnaire Camso autorisé. Voir la section *Garantie* du *Manuel de l'utilisateur*.

⚠ AVERTISSEMENT

Porter des gants et des verres protecteurs.

⚠ AVERTISSEMENT

Immobiliser le véhicule sur une surface plane et au niveau, mettre la transmission à **Park** et couper le moteur.

⚠ AVERTISSEMENT

Soulever et installer le véhicule sur des supports (ou dispositif de levage) sécuritaires.

⚠ AVERTISSEMENT

S'assurer que le véhicule est bien immobile et qu'on peut y travailler en sécurité.

⚠ AVERTISSEMENT

Attention aux surfaces chaudes qui pourraient causer des brûlures.

⚠ AVERTISSEMENT

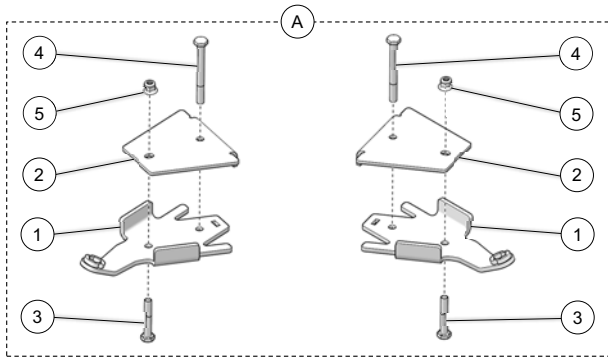
Pièces mobiles - Garder les mains ou les doigts loin des pièces en mouvement afin d'éviter les risques de blessures graves ou de mort.

⚠ AVERTISSEMENT

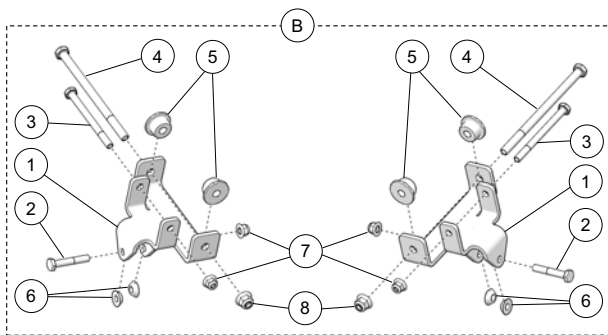
Ne jamais exposer des parties du corps sous le véhicule à moins que celui-ci ne repose sur des supports appropriés. Si le véhicule devait verser ou se déplacer, cela pourrait occasionner des blessures graves. Ne pas utiliser un dispositif de levage comme support permanent.

LISTES DE PIÈCES

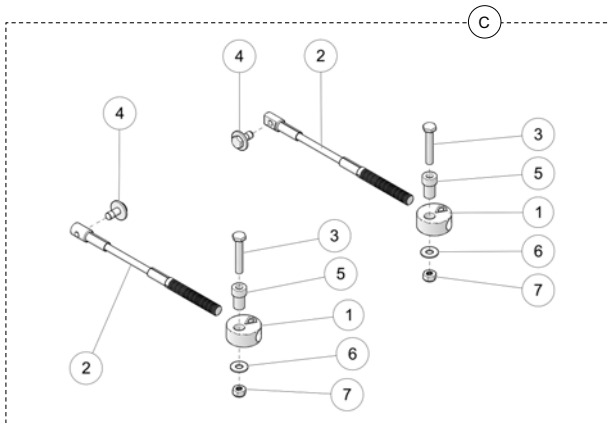
ATTENTION: Avant de débuter l'installation, assurez-vous d'avoir reçu toutes les composantes incluses dans les listes de pièces de cet ensemble.



ITEM	# PIÈCE	DESCRIPTION	QTÉ
A	1004-04-0150	ENSEMBLE ANCRAGE AVANT	1
1	--	ANCRAGE ANTI-ROTATION AVANT	2
2	--	COUVERT ANTI-ROTATION AVANT	2
3	1033-10-0060	BOULON-HCS, M10-1.5X60, 8.8, ZP, ISO4017	2
4	1033-10-0100	BOULON-HCS, M10-1.5X100, 8.8, ZP, DIN931	2
5	1074-10-1001	ÉCROU NYLON - FNN, M10-1.5, 10, ZP, DIN6926	2



ITEM	# PIÈCE	DESCRIPTION	QTÉ
B	1005-04-0150	ENSEMBLE ANCRAGE ARRIÈRE	1
1	--	ANCRAGE ANTI-ROTATION ARRIÈRE	2
2	1033-10-0060	BOULON- HCS, M10-1.5X60, 8.8, ZP, DIN931	2
3	1033-10-1130	BOULON- HCS, M10-1.5X130, 10.9, ZP, DIN931	2
4	1033-12-0210	BOULON- HCS, M12-1.75X210, 8.8, ZP, DIN931	2
5	1050-05-0026	T-BAGUE	4
6	1050-05-0305	COUSSINET CONIQUE	4
7	1074-10-1001	ÉCROU NYL. - FNN, M10-1.5, 10, ZP, DIN6926	4
8	1074-12-0001	ÉCROU NYL. - FNN, M12-1.75, 8, ZP, DIN6926	2



ITEM	# PIÈCE	DESCRIPTION	QTÉ
C	1003-77-3500	CÂBLE LIMITEUR DE CONDUITE ASSEMBLÉ	1
1	--	RONDELLE FILETÉE	2
2	1003-77-3560	CÂBLE ASSEMBLÉ	2
3	1033-10-0060	BOULON - HCS, M10-1.5X60, 8.8, ZP, DIN931	2
4	1033-10-2026	BOULON-HCSW, M10-1.5X25, 8.8, ZP, TL, DIN933	2
5	1050-00-0200	ESPACEUR	2
6	1060-00-0004	RONDELLE - W, 7/16X1.0X0.072, 8, ZP, USS	2
7	1071-10-0001	ÉCROU NYLON - NN, M10-1.5, ZP, 8, DIN982	2



ITEM	# PIÈCE	DESCRIPTION	QTÉ
D	1178-12-B075	ÉCROU DE ROUE - LN, M12-1.25X75, BP	16

COUPLES DE SERRAGE

Couples de serrage recommandés selon les dimensions et les grades des boulons.

DIMENSION	GRADE			
	8.8		10.9	
	Nm	lb-pi	Nm	lb-pi
M6-1.0	10	7		
M8-1.25	25	18	33	24
M10-1.5	50	37	70	52
M12-1.75	90	66	125	92

NOTE: Utiliser une pâte de blocage de filet de type Loctite 262, ou l'équivalent, aux endroits indiqués aux vues explosées du **Manuel de l'utilisateur**.

INFORMATION

- Des flèches indiquant l'avant du véhicule sont découpées dans certaines composantes des ancrages. S'assurer que ces flèches pointent vers l'avant du véhicule à l'assemblage de celles-ci. Fig. 1

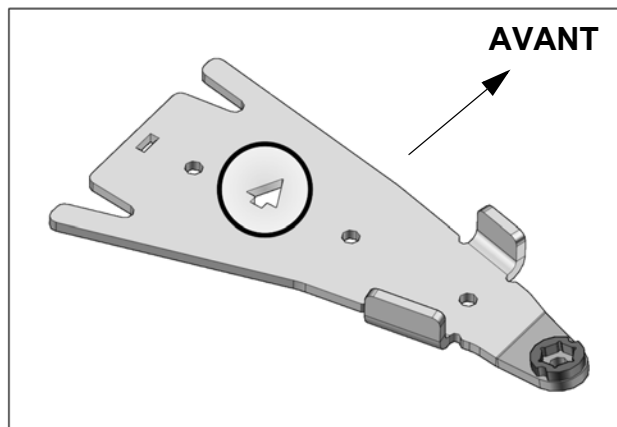


Fig. 1

PRÉPARATION

- Placer chaque système de traction près de sa position d'installation indiquée sur l'étiquette apposée au châssis.

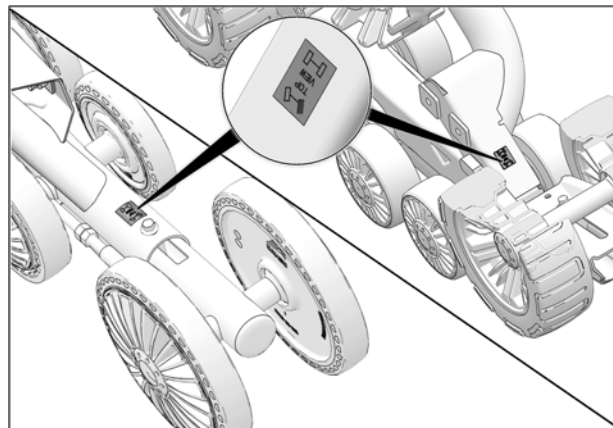


Fig. 2

**** IMPORTANT:** Débuter par l'installation des systèmes de chenille ARRIÈRE. **

SYSTÈMES ARRIÈRE - INSTALLATION

- Enlever les roues arrière. S'assurer que les goujons et les moyeux de roue sont exempts de saleté.
- Retirer les protecteurs de joint homocinétique, si nécessaire.
- Retirer et jeter les boulons, rondelles et espaceurs des rotules des bras stabilisateurs des systèmes arrière. Fig. 3

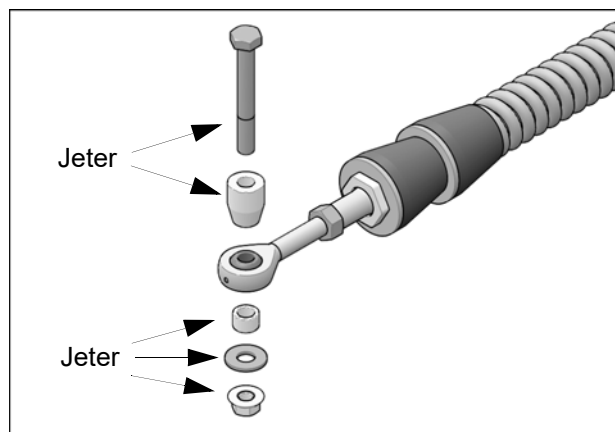


Fig. 3

4. Dévisser et retirer le boulon (1) qui relie le bras de suspension inférieur arrière au moyeu de roue. Voir la Fig. 4

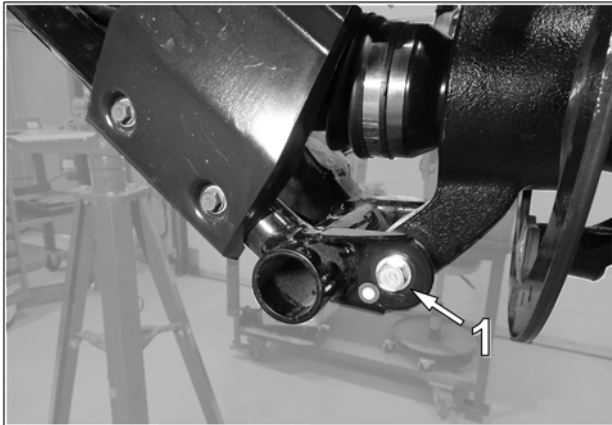


Fig. 4

5. Insérer les t-bagues (B5) à chaque bout du tube incorporé au bras de suspension. Voir la Fig. 5

NOTE: Si nécessaire, meuler les bavures à l'intérieur du tube qui pourraient nuire à l'installation des bagues.

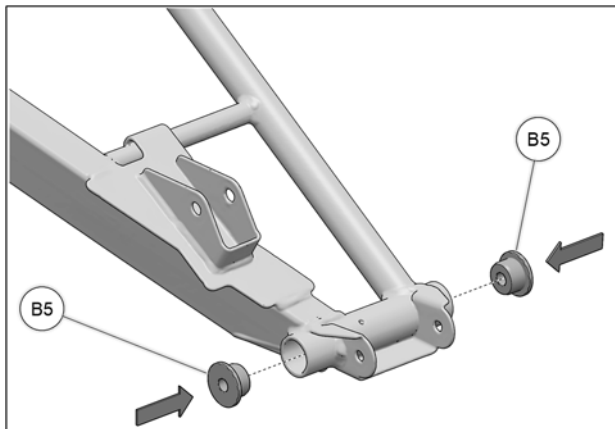


Fig. 5

6. Positionner l'ancrage (B1) sous le bras de suspension inférieur arrière; aligner les trous de l'ancrage et ceux du bras de suspension. Voir la Fig. 6

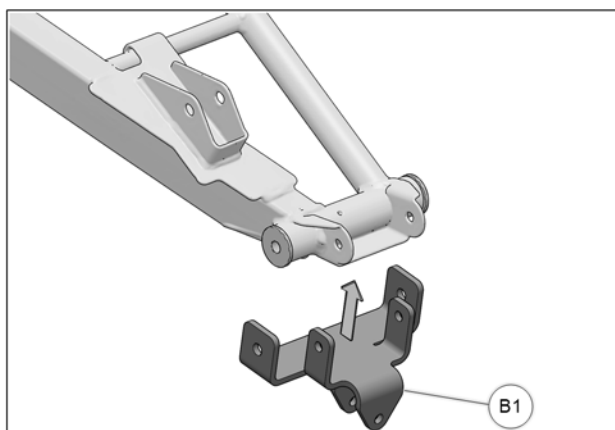


Fig. 6

7. Insérer un boulon de fixation M12x210mm (B4) à travers l'ancrage, les bagues, le bras de suspension. Fixer l'ancrage avec l'écrou M12 (B8) fourni. Serrer à un couple de 90 Nm [66 lb•pi].

Insérer un boulon de fixation M10x130mm (B3) à travers l'ancrage, le bras de suspension et le moyeu de roue. Fixer l'ancrage avec l'écrou M10 (B7) fourni. Serrer à un couple de 70 Nm [56 lb•pi]. Voir la Fig. 7

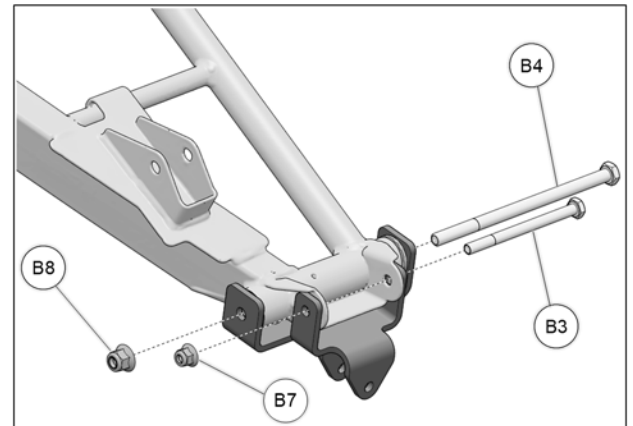


Fig. 7

8. Fixer le système de traction au moyeu de roue arrière. Utiliser le cercle de perçage de Ø156 mm et les écrous de roue M12 (D) fournis. Voir la Fig. 8

ATTENTION: Retirer le protecteur en caoutchouc du moyeu, s'il y a lieu.

ATTENTION: Serrer les écrous de roue au couple de serrage indiqué par le fabricant du véhicule.

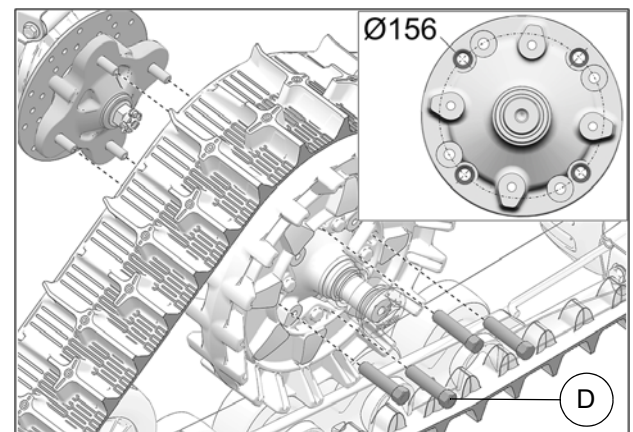


Fig. 8

9. Fixer le bras stabilisateur (1) à l'ancrage de suspension (2) en utilisant le boulon M10x60mm (B2), les coussinets coniques (B6), et l'écrou autobloquant (B7). Serrer à un couple de 70 N•m [52 lb•pi]. Voir Fig. 9

ATTENTION: Assembler les pièces dans l'ordre indiqué.

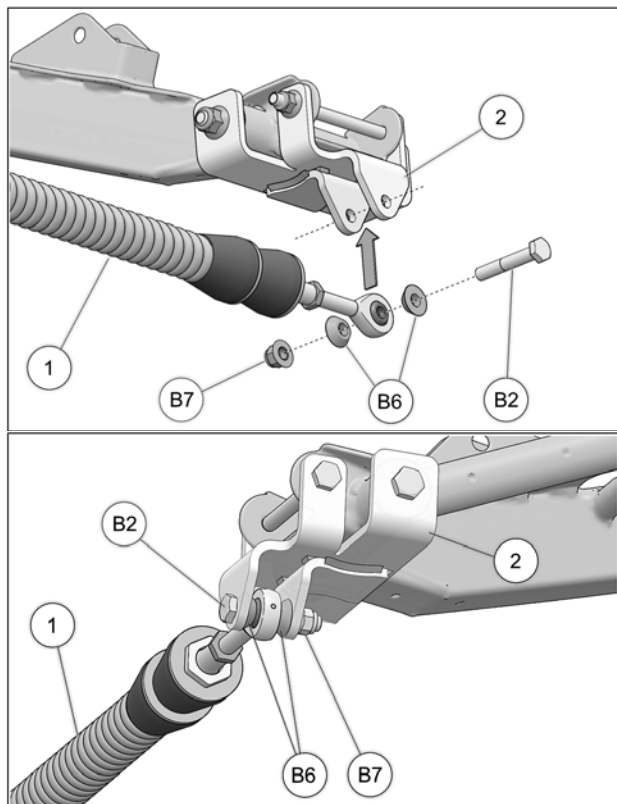


Fig. 9

10. Vérifier que le boulon du ressort (3) est serré au couple recommandé : 75 N•m [55 lb•pi]. Assurez-vous de bloquer en position, l'écrou devant les amortisseurs en caoutchouc. Voir la Fig. 10

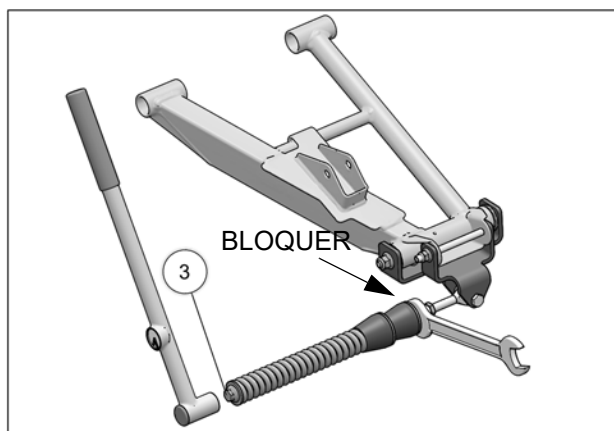


Fig. 10

11. Inspecter les systèmes de traction arrière et s'assurer que tous les boulons ont été serrés correctement lors de l'installation.

SYSTÈMES AVANT - INSTALLATION

1. Enlever les roues avant. S'assurer que les goujons et les moyeux de roue sont exempts de saleté.
2. Retirer les protecteurs de joint homocinétique, si nécessaire.
3. Retirer les boulons, rondelles, espaceurs et écrous installés aux rotules des bras stabilisateurs des systèmes avant. Voir la Fig. 11

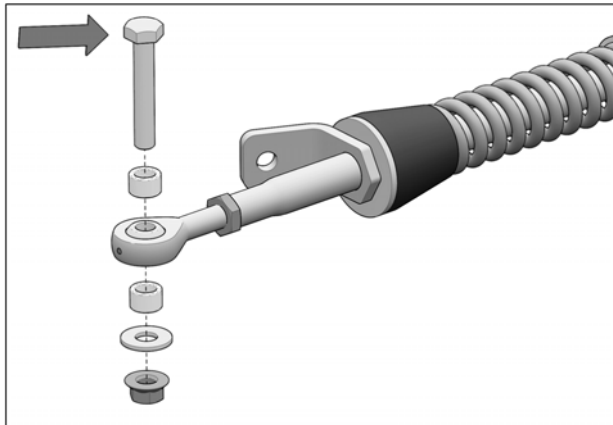


Fig. 11

4. Insérer un boulon à l'extrémité de chacun des ancrages de suspension avant (A1). Fig. 12

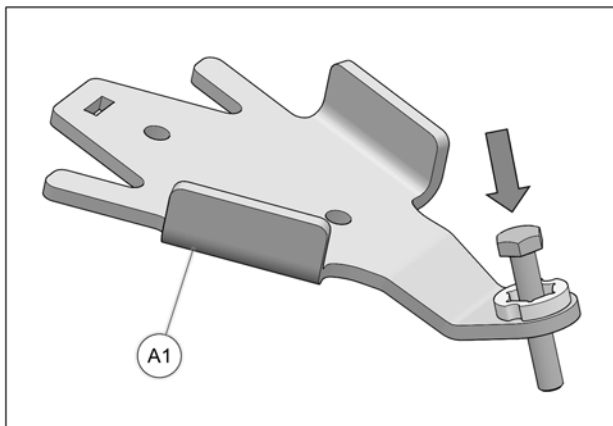


Fig. 12

ATTENTION: Assurez-vous d'insérer le boulon dans le bon sens. Voir la Fig. 13

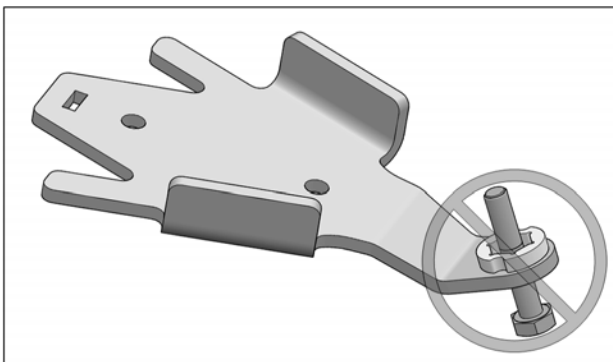


Fig. 13

5. Insérer le boulon M10x100mm (A4) dans le trou à l'arrière de la partie supérieure de l'ancrage (A2) et positionner ce sous-ensemble sur le bras de suspension inférieur. Voir la Fig. 14

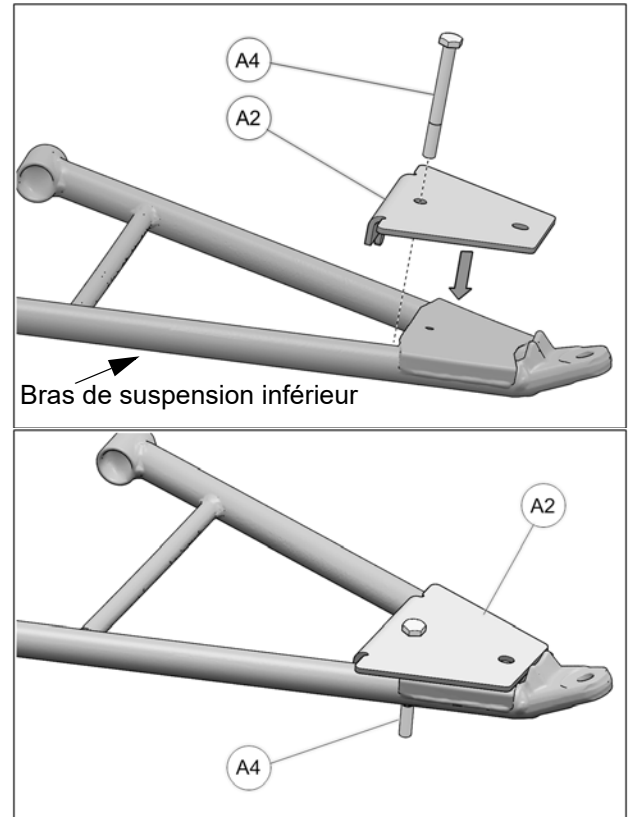


Fig. 14

6. Positionner la partie inférieure de l'ancrage anti-rotation (A1) sous le bras de suspension inférieur. Soulever l'arrière de l'ancrage (A1) et engager sur le boulon (A4) déjà installé dans la partie supérieure (A2). Assurez-vous que le tenon est bien inséré dans la mortaise. Voir Fig. 15

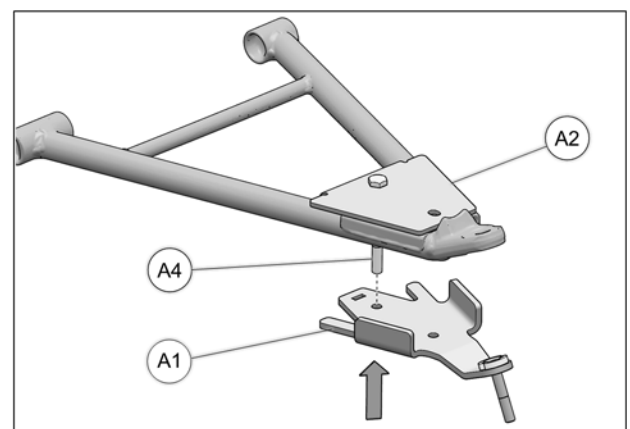


Fig. 15

7. Serrer temporairement les parties supérieure et inférieure de l'ancrage. En utilisant le trou libre de la partie inférieure comme gabarit, percer, par le dessous, un trou additionnel de $\text{Ø}13/32''$ dans la plaque de renfort du bras de suspension. Fig. 16

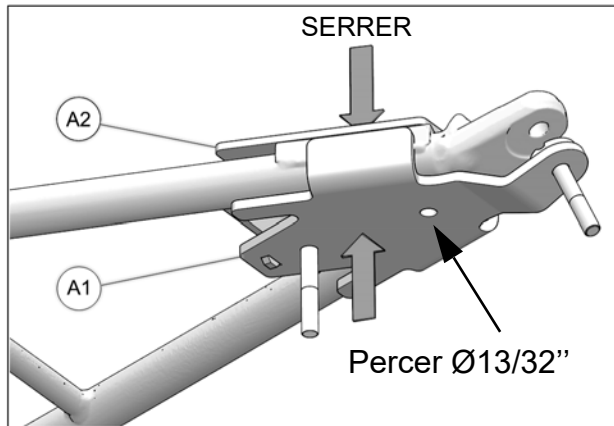


Fig. 16

8. Insérer un boulon M10x60mm (A3) par le dessous de l'ancrage, comme montré ci-dessous. Assembler les deux parties avec un écrou (A5) fourni. Serrer l'assemblage à un couple de $50 \text{ N}\cdot\text{m}$ [$37 \text{ lb}\cdot\text{pi}$]. Voir la Fig. 17

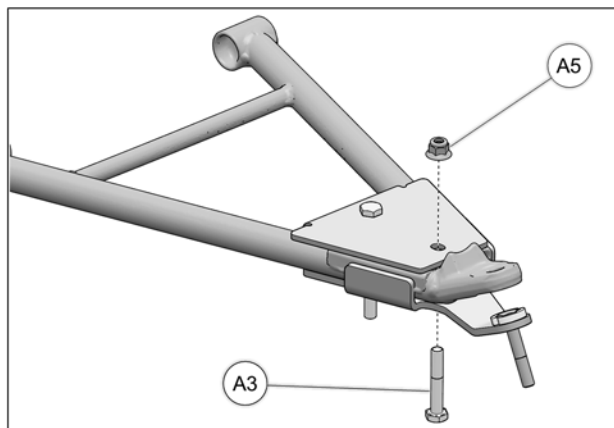


Fig. 17

9. Fixer le système de traction au moyeu de roue arrière. Utiliser le cercle de perçage de $\text{Ø}156 \text{ mm}$ et les écrous de roue M12 (D) fournis. Voir la Fig. 18

ATTENTION: Retirer le protecteur en caoutchouc du moyeu, s'il y a lieu.

ATTENTION: Serrer les écrous de roue au couple de serrage indiqué par le fabricant du véhicule.

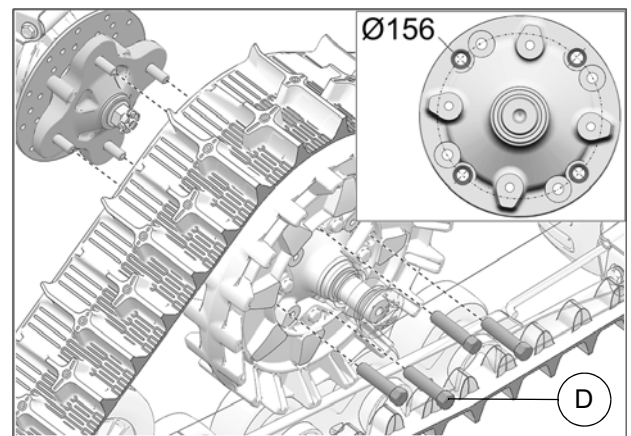


Fig. 18

10. Fixer le bras stabilisateur (2) à l'ancrage de suspension (A1) à l'aide des deux espaceurs (3), de la rondelle (4) et de l'écrou autobloquant (5). Serrer à un couple de $70 \text{ N}\cdot\text{m}$ [$52 \text{ lb}\cdot\text{pi}$]. Voir la Fig. 19

ATTENTION: Assurez-vous d'assembler les pièces dans l'ordre indiqué.

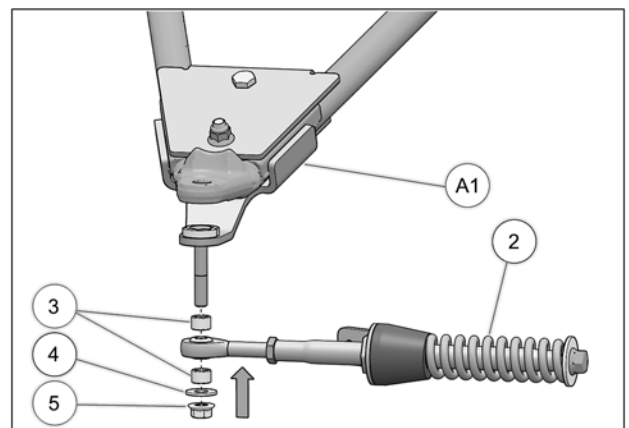


Fig. 19

11. Vérifier que le boulon du ressort (6) est serré au couple recommandé : $75 \text{ N}\cdot\text{m}$ [$55 \text{ lb}\cdot\text{pi}$]. Assurez-vous de bloquer en position, l'écrou devant l'amortisseur en caoutchouc. Voir Fig. 20

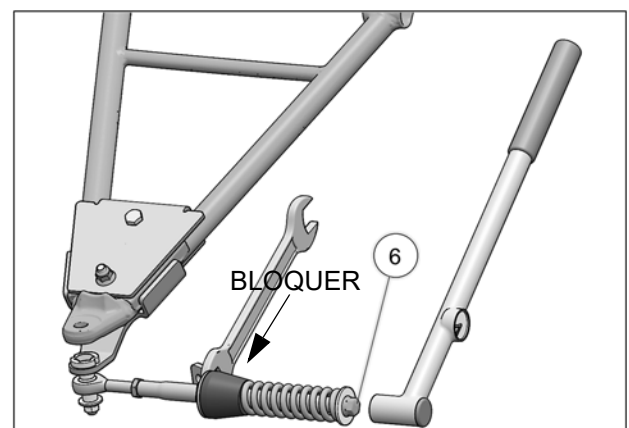


Fig. 20

LIMITEURS DE CONDUITE - INSTALLATION

12. Retirer et jeter les deux boulons M10 (C3) des ensembles limiteur de conduite. Voir la Fig. 21

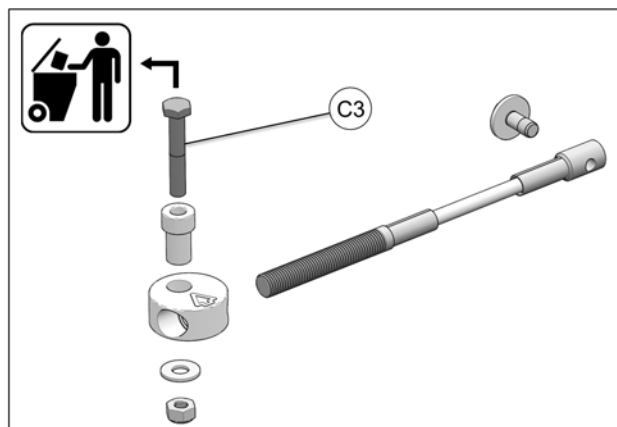


Fig. 21

13. Assembler les câbles des limiteurs de conduite (C2), les disques en aluminium (C1) et les bagues espaceurs (C5) tel que montré à la Fig. 22

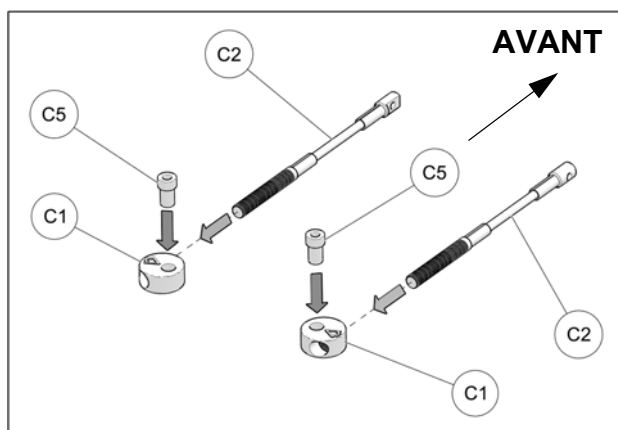


Fig. 22

IMPORTANT

14. À l'assemblage, les bagues espaceurs (C5) doivent être graissées. Appliquer une couche de graisse uniforme sur toute la circonférence de la bague espaceur et dans le logement du disque en aluminium (C1). Voir la Fig. 22

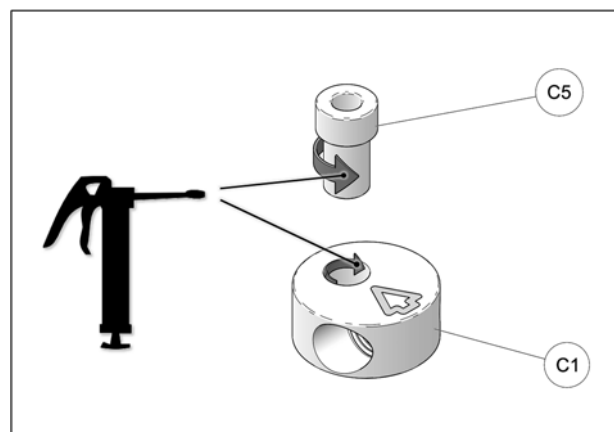


Fig. 23

15. Positionner le câble limiteur de conduite assemblé sous l'ancrage et installer au boulon (A4) inséré à l'étape 5. Utiliser la rondelle (C6) et l'écrou (C7) pour fixer le câble limiteur de conduite en place. Serrer l'écrou à 50 N•m [37 lb•pi]. Voir Fig. 24

NOTE: La flèche sur le disque en aluminium doit pointer vers l'avant du véhicule.

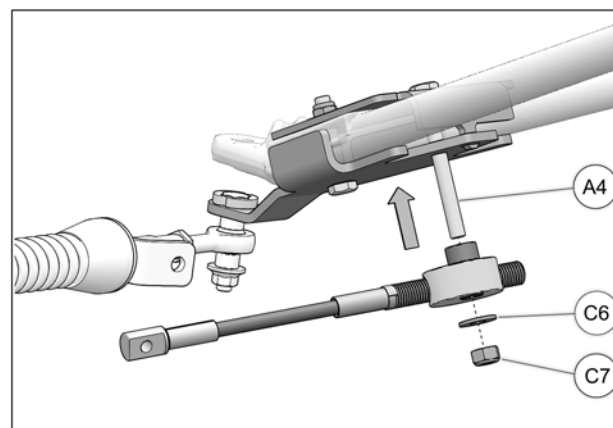


Fig. 24

IMPORTANT

16. À l'assemblage, assurez-vous que le point de pivot du disque en aluminium soit positionné en avant du câble du limiteur de conduite. Voir la Fig. 25

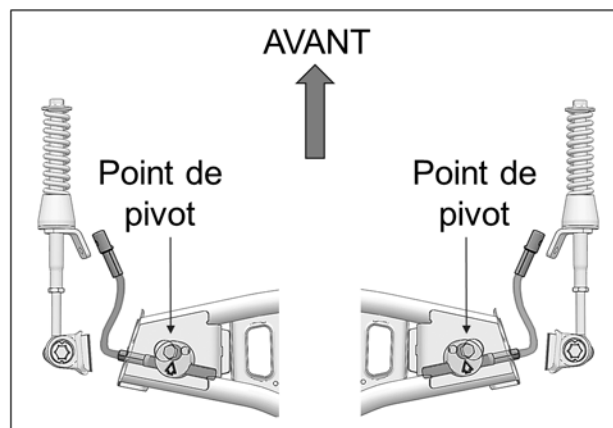


Fig. 25

LIMITEURS DE CONDUITE - AJUSTEMENT

AVERTISSEMENT: Avant de passer aux étapes suivantes, les bras stabilisateurs doivent être correctement installés et les ajustements de l'angle d'attaque et de l'alignement doivent être complétés. Voir le *Manuel de l'utilisateur* fourni lors de l'achat.

17. Tourner le volant du véhicule au maximum de la course du côté gauche. En maintenant une pression au volant, ajuster le câble (en vissant ou dévissant pour ajuster la longueur). Voir la Fig. 26

18. Obtenir une distance de 13-19mm du centre de l'extrémité du câble (1) au centre de l'extrémité du support de fixation (2). Voir la Fig. 26

AVERTISSEMENT: Pour éviter toute possibilité d'endommager des composants du véhicule, la distance ** 13-19 mm ** doit obligatoirement être respectée.

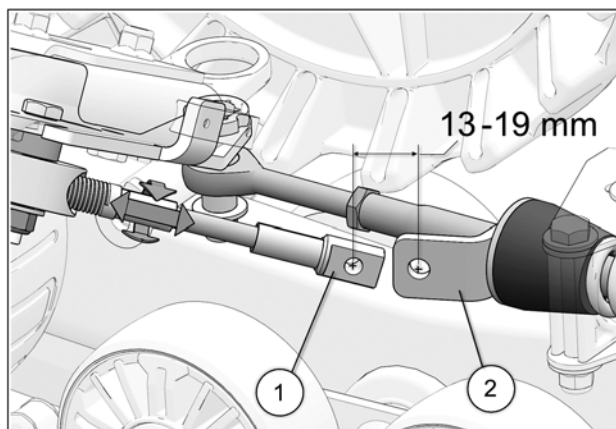


Fig. 26

19. Tourner légèrement le volant dans le sens contraire jusqu'à ce que le câble puisse être fixé à la plaque de support en utilisant le boulon (C4) fourni. Serrer à un couple de 35 N·m [24 lb·pi]. Voir la Fig. 27. Effectuer le même exercice du côté droit.

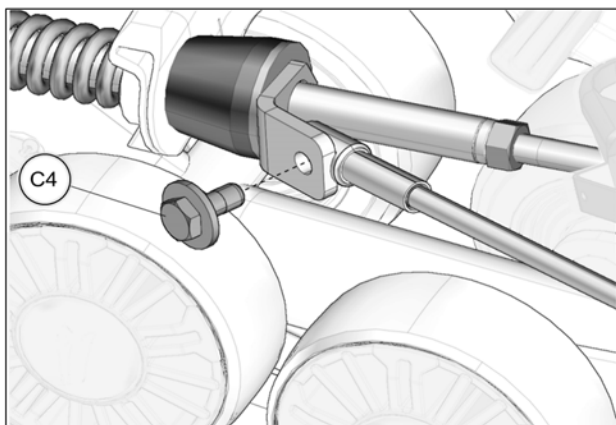


Fig. 27

FINALISER L'INSTALLATION

1. Vérifier l'ajustement de la suspension; si les amortisseurs sont réglables, ils doivent être réglés au niveau le plus ferme pour permettre un maximum de dégagement entre les systèmes et les ailes du véhicule. Voir la Fig. 28

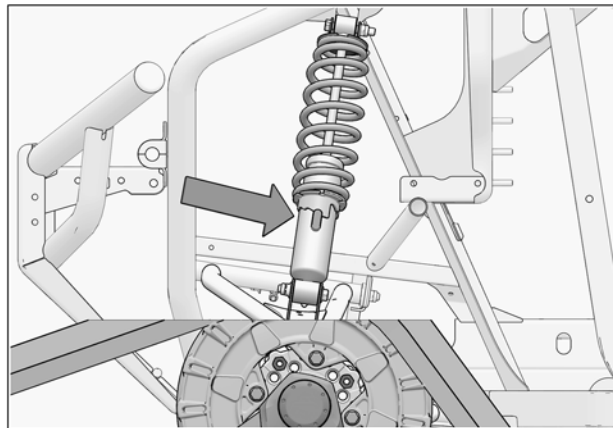


Fig. 28

2. Vérifier s'il y a possibilité de contact entre le système de traction et les coins inférieurs des ailes. Voir la Fig. 29

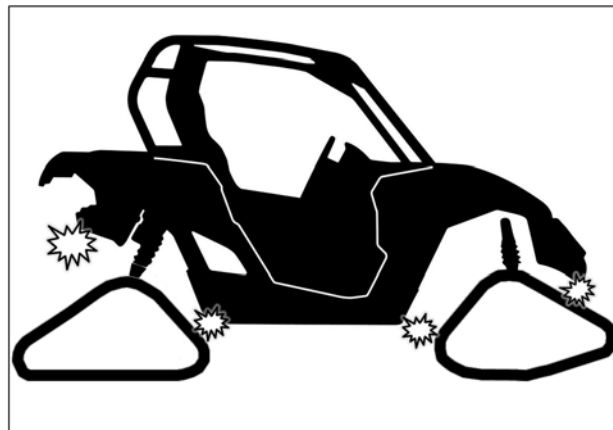


Fig. 29

ATTENTION: S'il y a contact, modifier (découper) les ailes pour éviter des dommages aux composants du véhicule et toute usure prématurée des chenilles.

3. Abaisser le véhicule au sol.

AJUSTEMENTS

ATTENTION: Le système de traction a été conçu pour offrir les meilleures performances en termes de traction et de flottabilité. Les ajustements d'alignement, tension des chenilles et angle d'attaque sont nécessaires pour obtenir les performances optimales. Pour plus de renseignements sur ces ajustements, voir le document *RÉGLAGES* ou le *MANUEL DE L'UTILISATEUR* fournis avec l'ensemble d'installation du véhicule.

DÉMONTAGE

ATTENTION: Si les ancrages anti-rotation sont laissés aux bras de suspension lors du retrait des systèmes de traction, il peut en résulter des interférences qui peuvent endommager le véhicule. Retirer les composantes du système anti-rotation lors de la réinstallation des roues.

ATTENTION: Les systèmes de traction augmentent la garde au sol et accroissent la stabilité du véhicule. Faire preuve de prudence lors du retour aux roues d'origine du véhicule; les caractéristiques de conduite seront différentes de celles associées avec les systèmes de traction.

REMISAGE

ATTENTION: Les contaminants peuvent altérer et corroder les pièces mobiles des systèmes de traction pendant le remisage. Il est fortement recommandé d'effectuer l'entretien prescrit avant de remiser les systèmes de traction.

Tél. du concessionnaire / distributeur:

No. de série:

Date d'achat:
